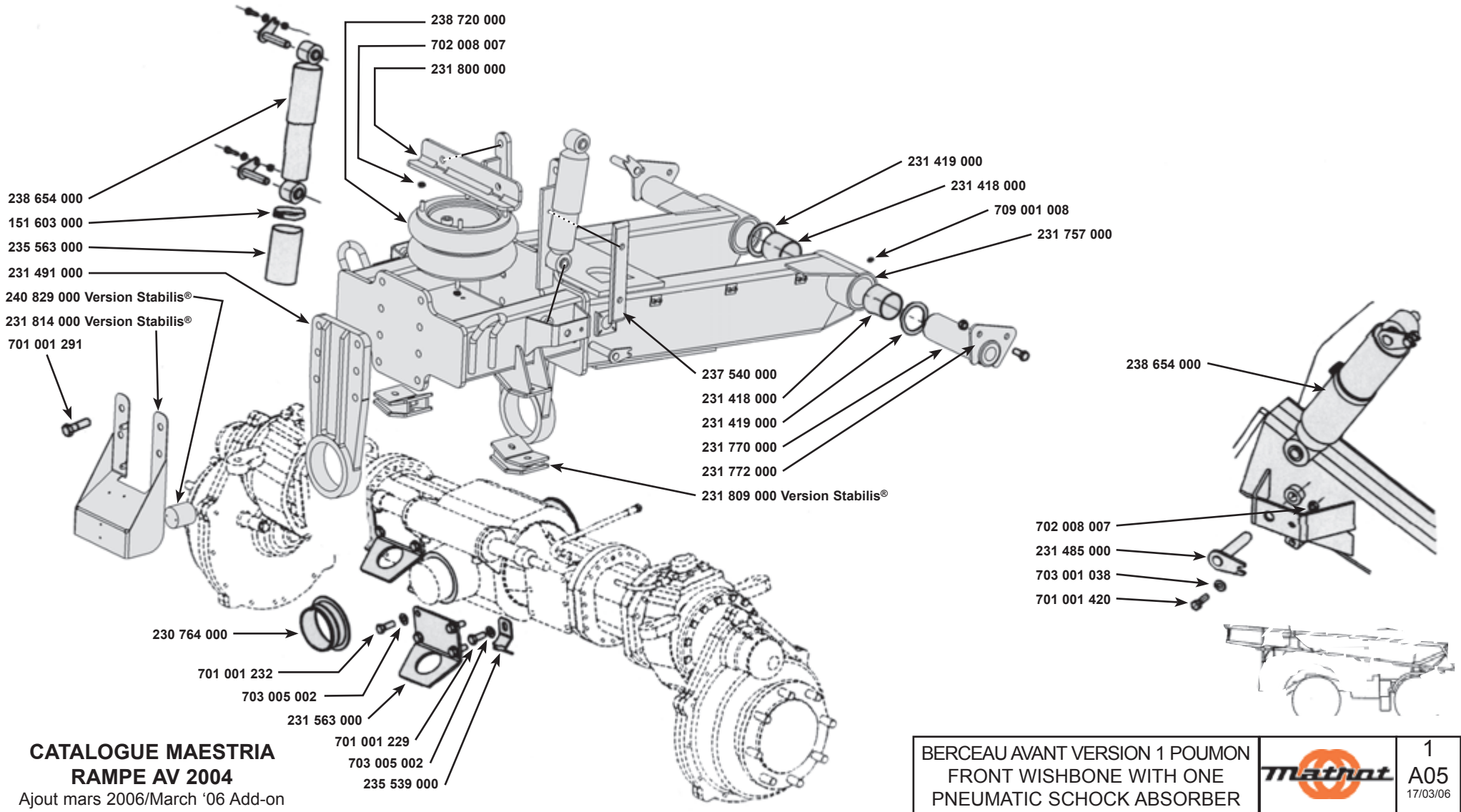



Km/h	25	40
17/39	X	X
21/39	X	X
23/45	X	



<p>BERCEAU AVANT VERSION 1 POU MON FRONT WISHBONE WITH ONE PNEUMATIC SCHOCK ABSORBER</p>		<p>1 A05 17/03/06</p>
--	---	-------------------------------

CATALOGUE MAESTRIA
RAMPE AV 2004
Ajout mars 2006/March '06 Add-on