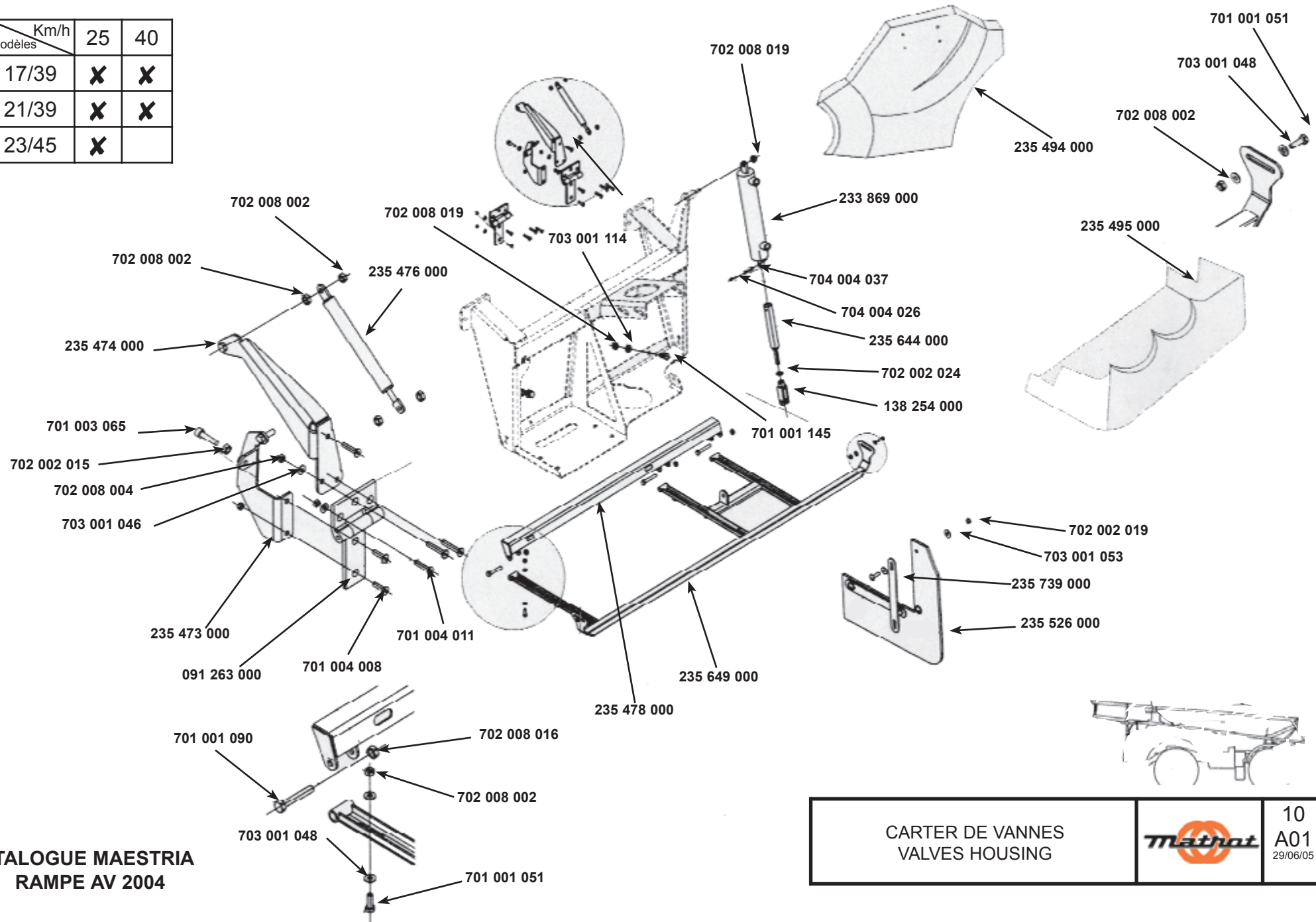


Km/h	25	40
17/39	X	X
21/39	X	X
23/45	X	



CATALOGUE MAESTRIA  
RAMPE AV 2004

CARTER DE VANNES  
VALVES HOUSING



10  
A01  
29/06/05