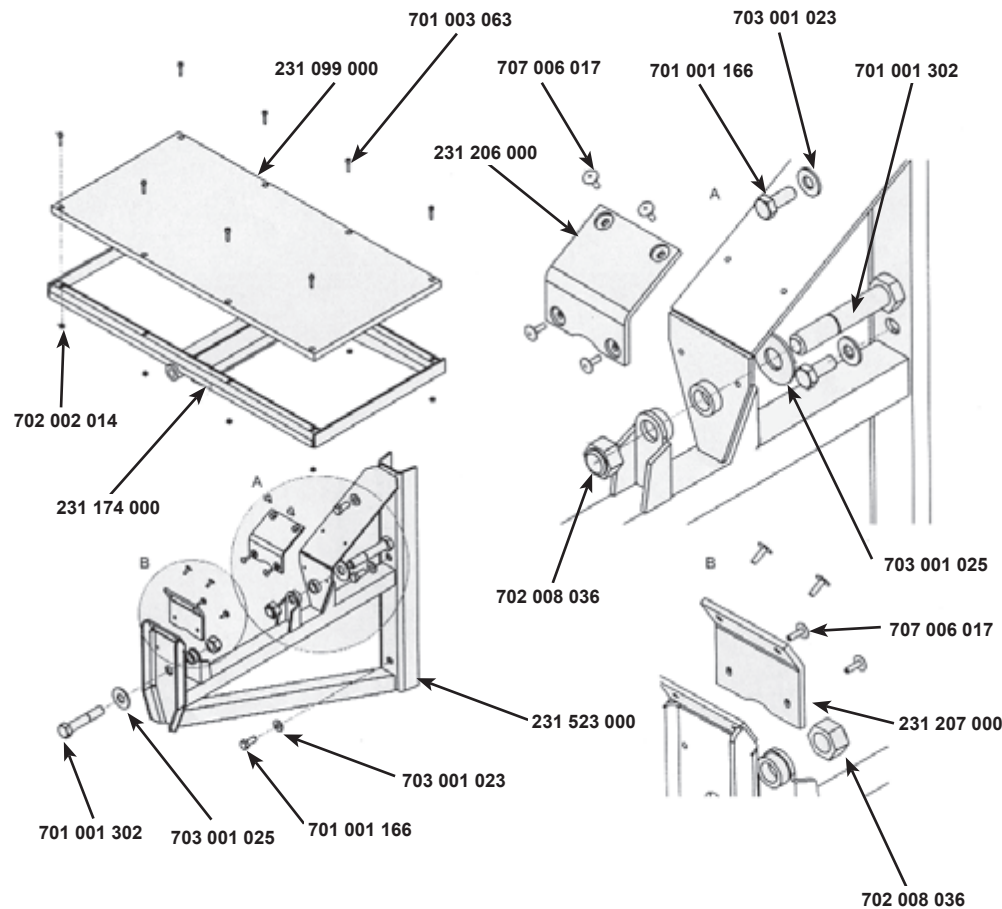
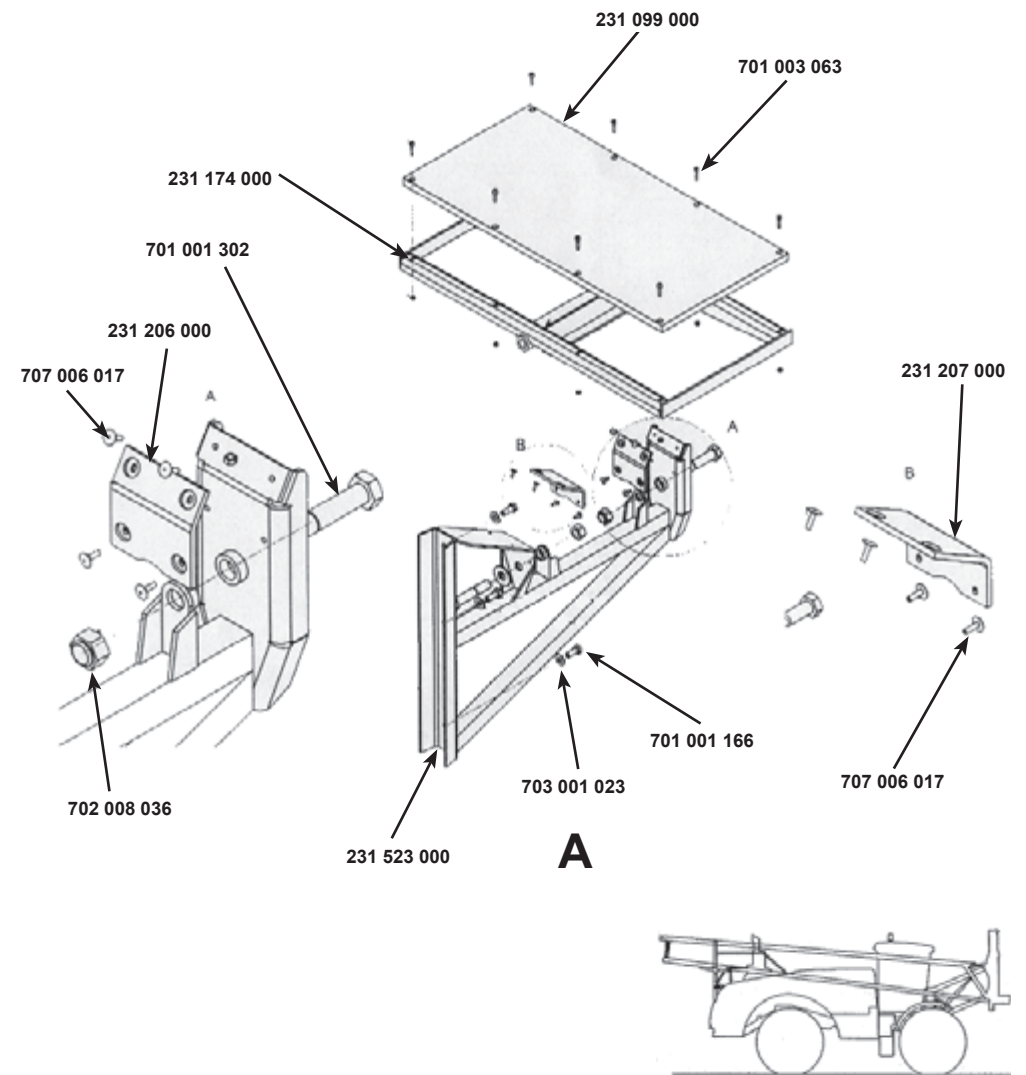


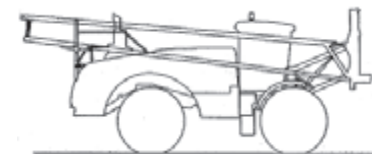
| Km/h | 25 | 40 |
|-------|----|----|
| 17/39 | X | X |
| 21/39 | X | X |
| 23/45 | X | |



B



A



**CATALOGUE MAESTRIA
RAMPE AV 2004**

Correctif mars 2006/March '06 correction

PLATEAU DE RAMPE
BOOM SHELF



1
F04
23/06/05