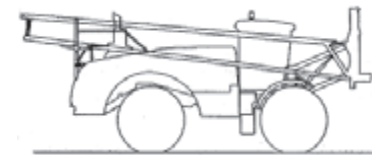
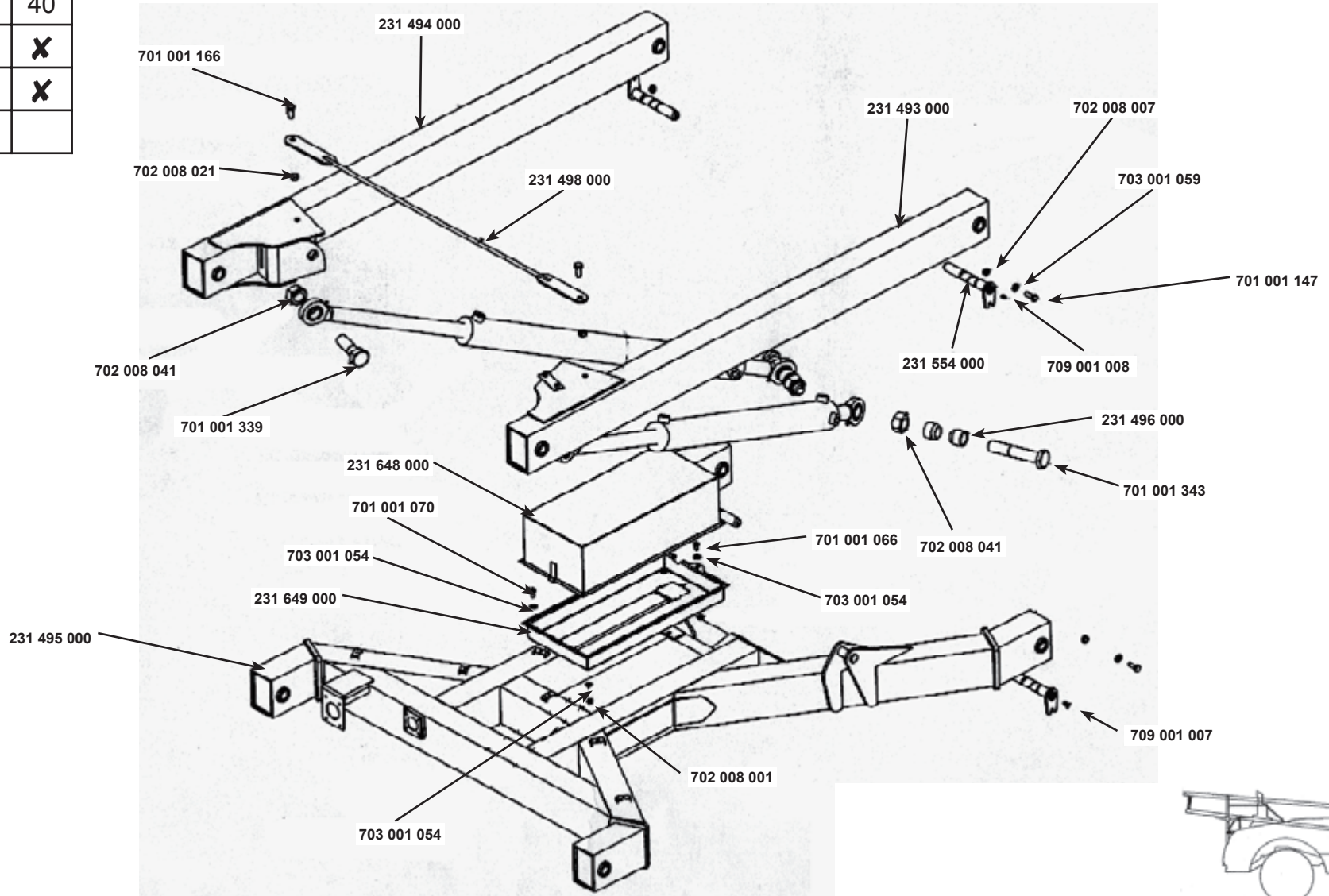


Km/h	25	40
17/39	X	X
21/39	X	X
23/45	X	



CATALOGUE MAESTRIA  
RAMPE AV 2004

RELEVAGE ÉQUIPÉ FRONT LIFTING		1 B01 21/06/05
----------------------------------	---------------------------------------------------------------------------------------	----------------------