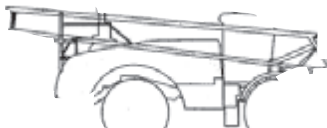
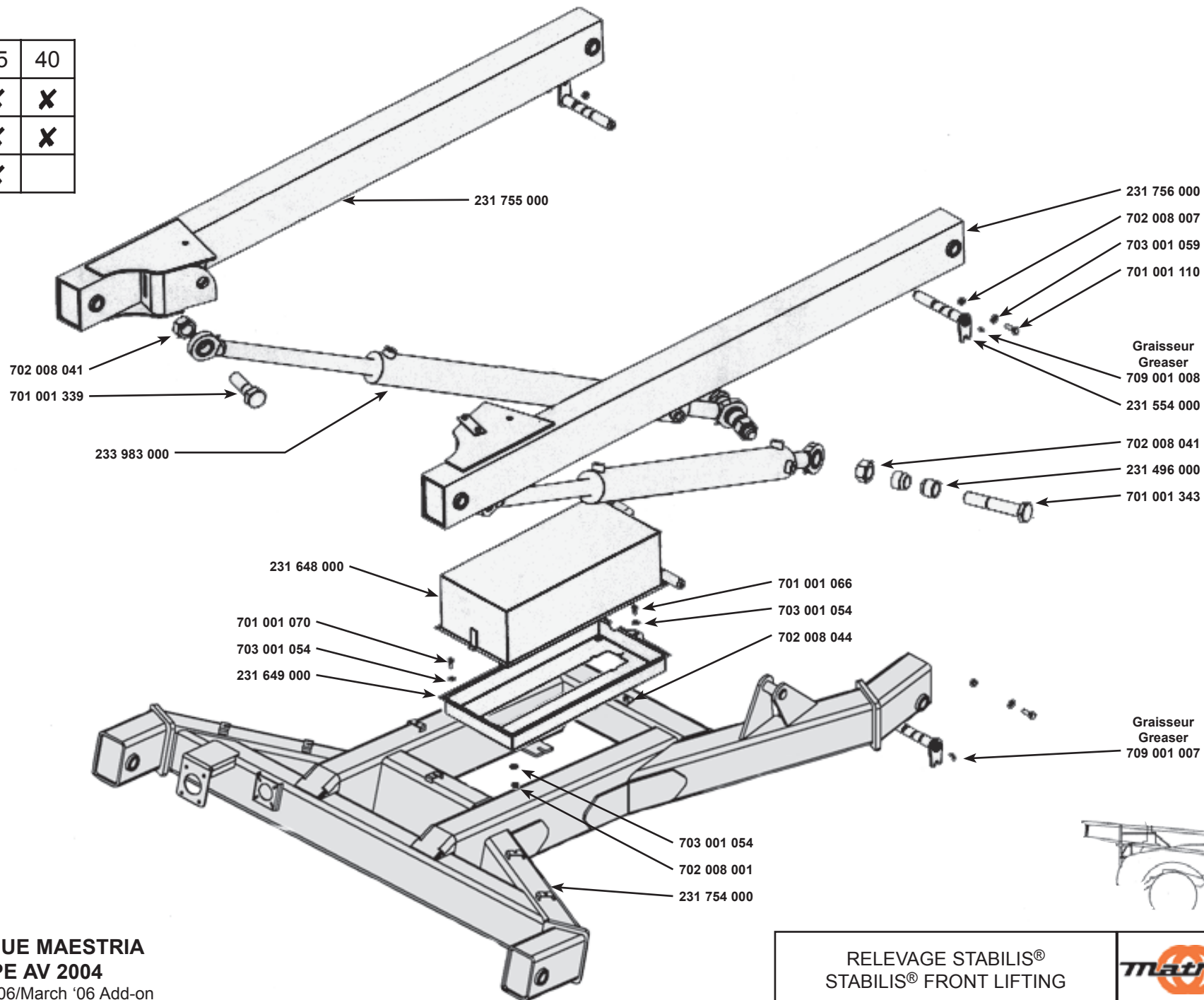


Km/h	25	40
17/39	X	X
21/39	X	X
23/45	X	



**CATALOGUE MAESTRIA**  
**RAMPE AV 2004**  
 Ajout mars 2006/March '06 Add-on

RELEVAGE STABILIS® STABILIS® FRONT LIFTING		1 B02 20/03/06
---	---	----------------------