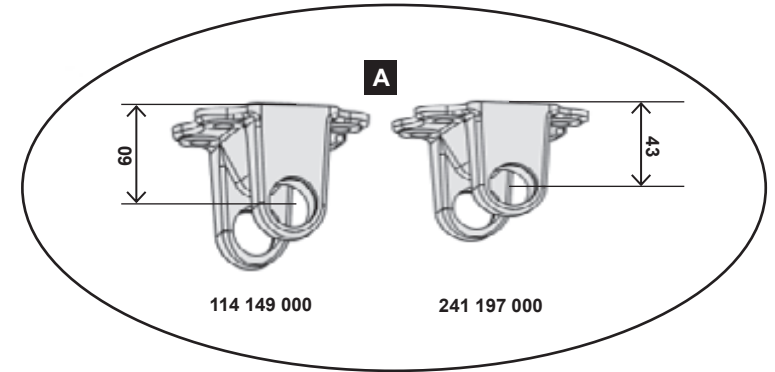
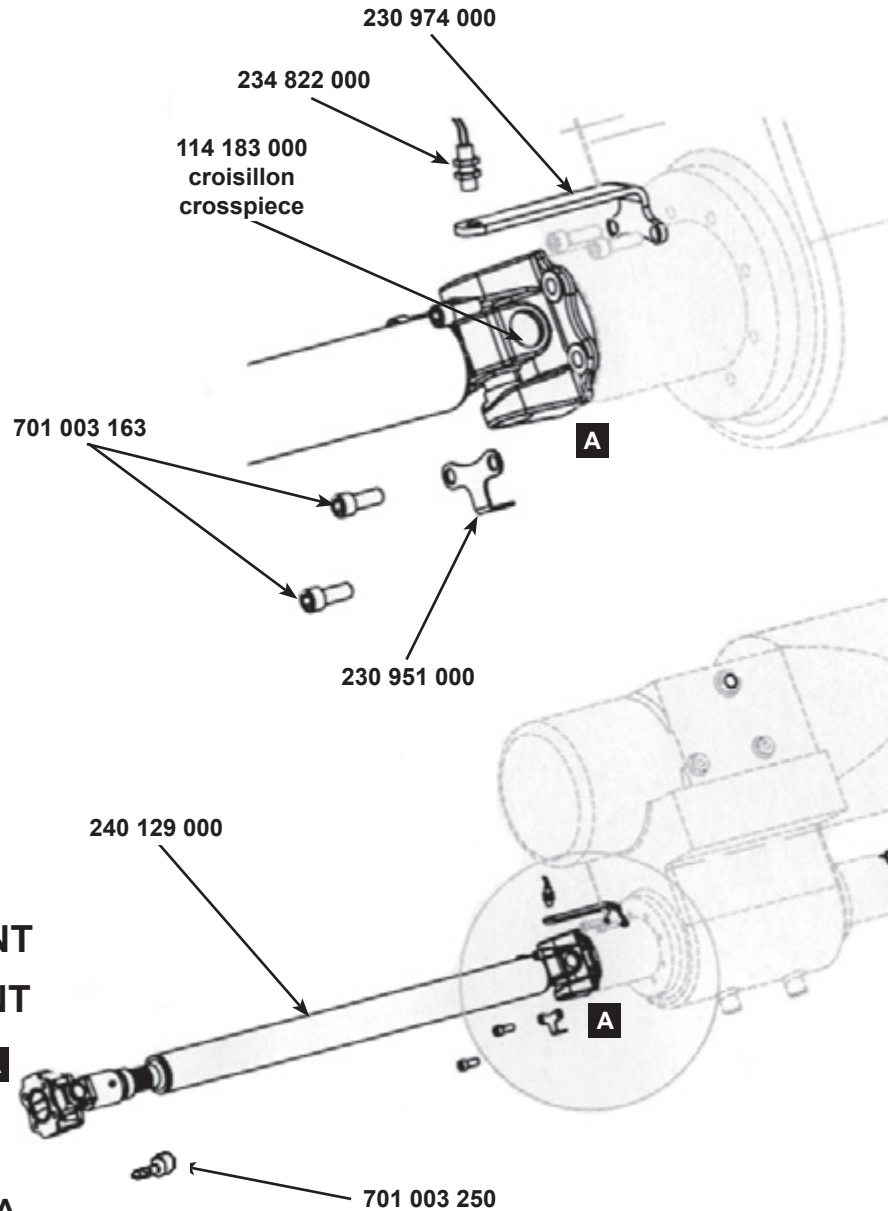


Km/h	25	40
17/39		X
21/39		X
23/45		



**FRONT
AVANT**

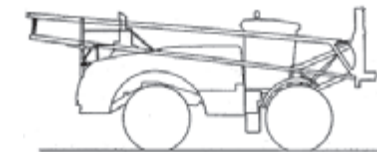
**DISQUE DE FREIN
DISC OF BRAKE**

**CATALOGUE MAESTRIA
RAMPE AV 2004**

Correctif 19 mai 2006/May 19th '06 correction

**DISQUE DE FREIN
DISC OF BRAKE**

**REAR
ARRIÈRE**



TRANSMISSION OSCAV OSCAV PROPELLER SHAFT		12 D02 28/06/04
---	---	-----------------------