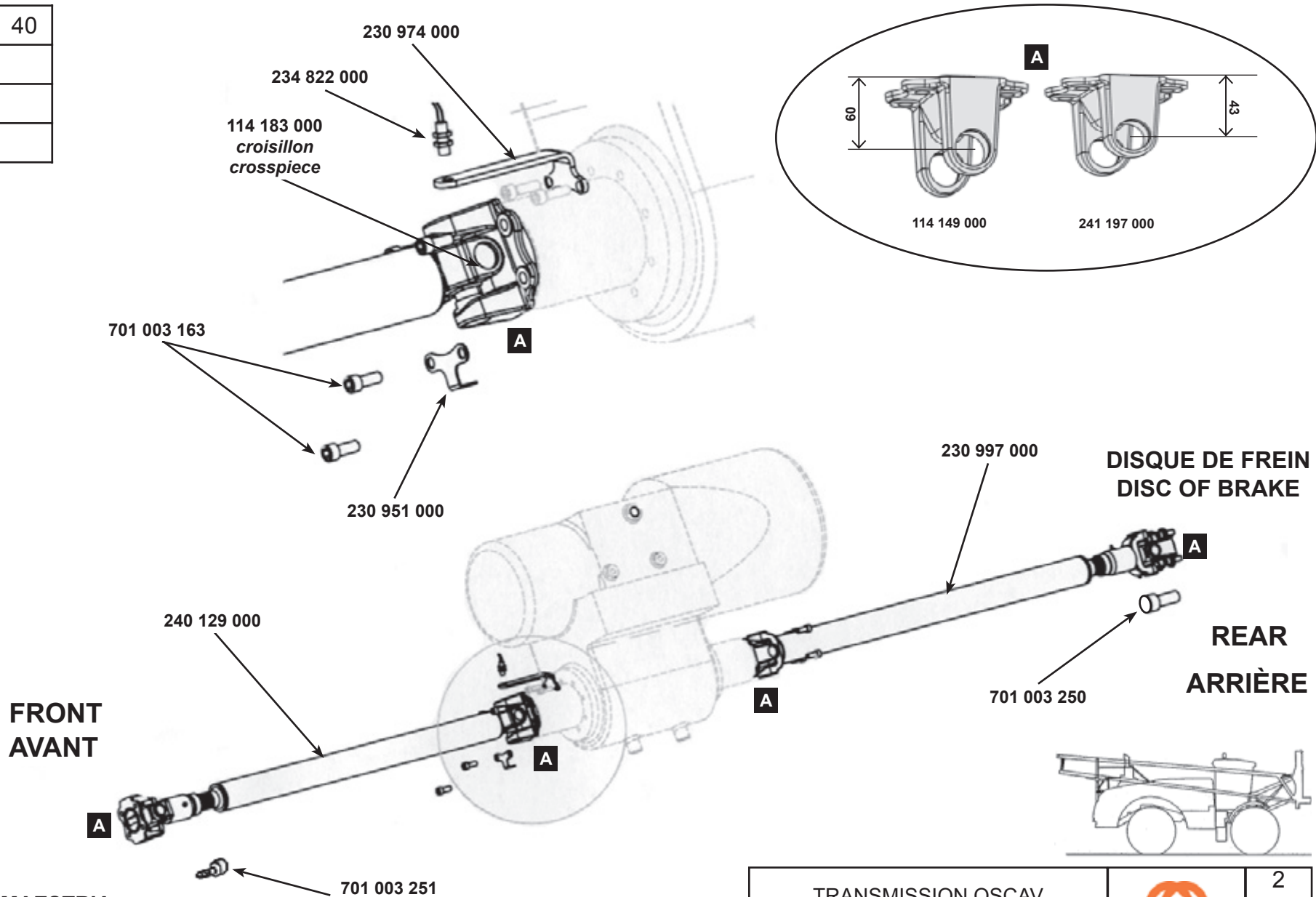


Km/h	25	40
17/39	X	
21/39	X	
23/45		



**CATALOGUE MAESTRIA
RAMPE AV 2004**

Correctif 19 mai 2006/May 19th '06 correction

TRANSMISSION OSCAV
OSCAV PROPELLER SHAFT



2
D03
28/06/04