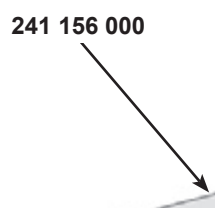
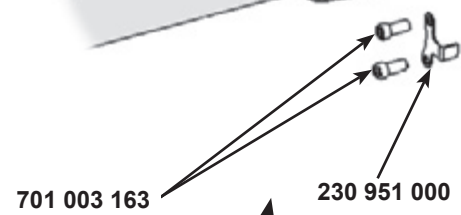
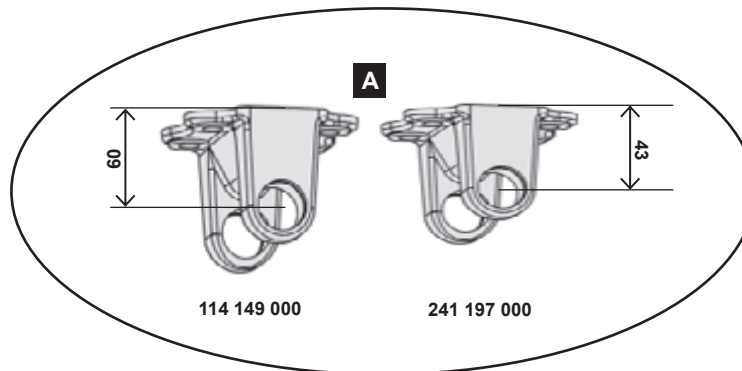
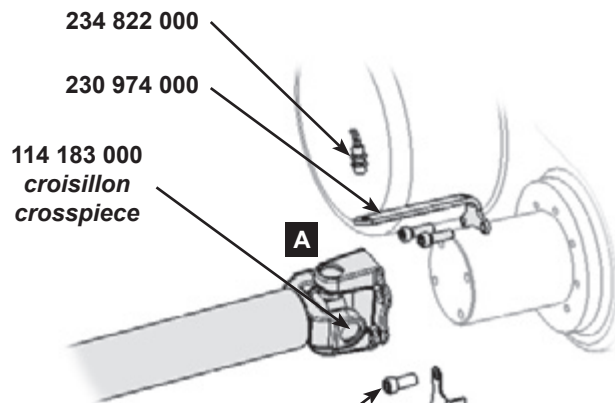


Km/h	25	40
17/39	X	X
21/39	X	X
23/45		



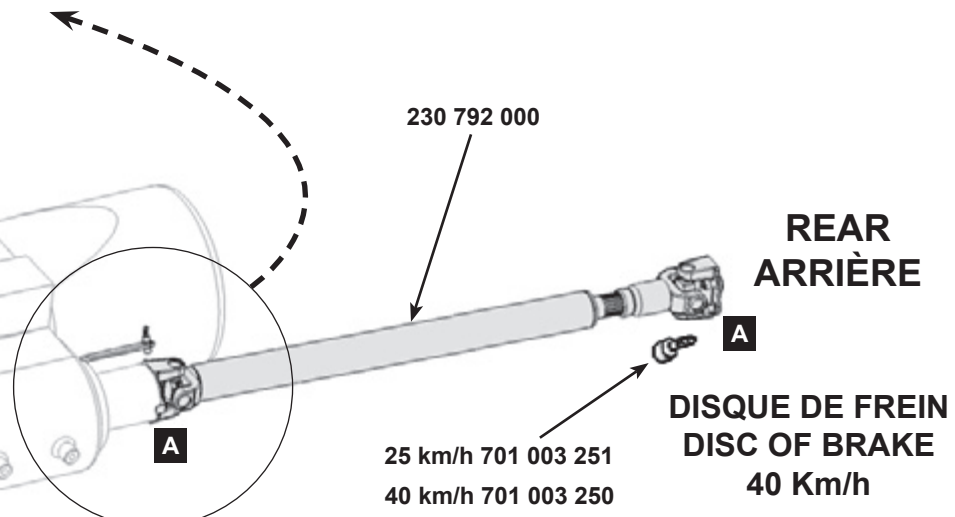
**FRONT
AVANT**

**DISQUE DE FREIN
DISC OF BRAKE**



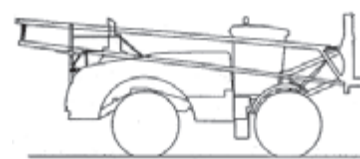
**CATALOGUE MAESTRIA
RAMPE AV 2004**

Correctif 19 mai 2006/May 19th '06 correction



**REAR
ARRIÈRE**

**DISQUE DE FREIN
DISC OF BRAKE**
40 Km/h



TRANSMISSION STABILIS® STABILIS® PROPELLER SHAFT		2 D05 28/06/04
---	--	----------------------